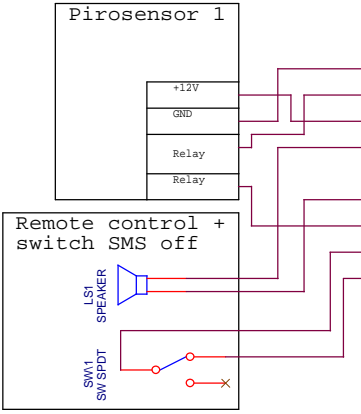
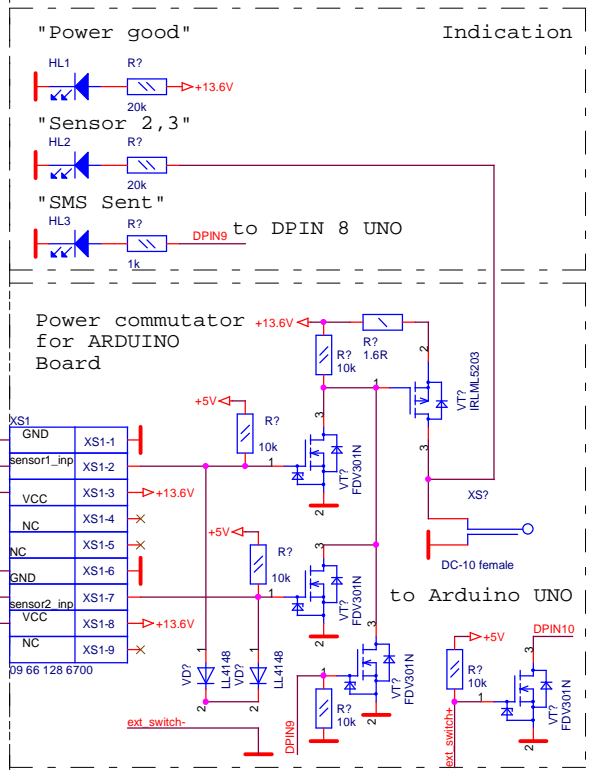


Pirosensor Arduino №2, timer = 1 min.

Pirosensor Arduino №3, timer = 1 min.

Pirosensor 1

Remote control + switch SMS off



Main Module

